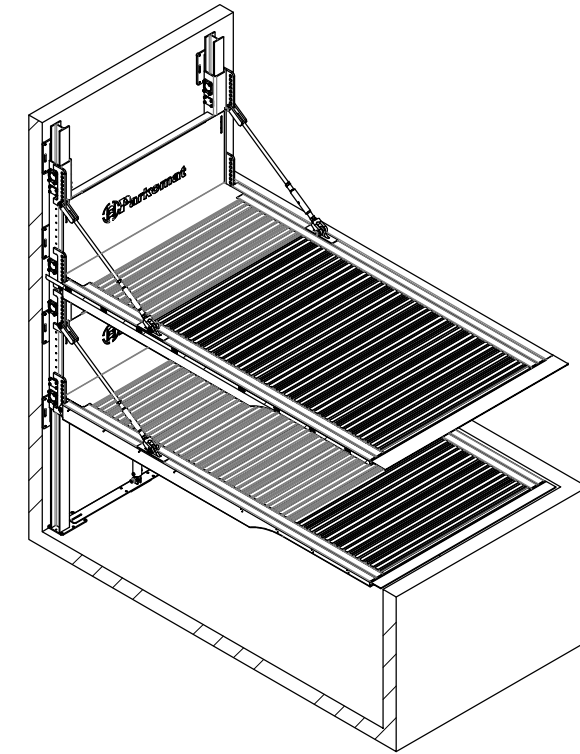
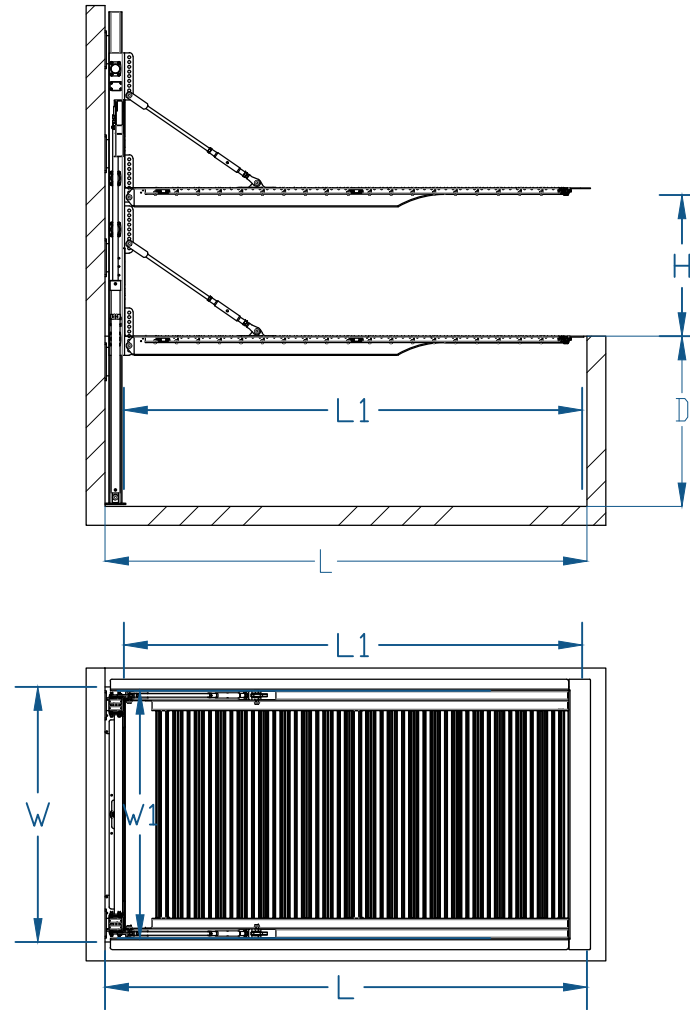
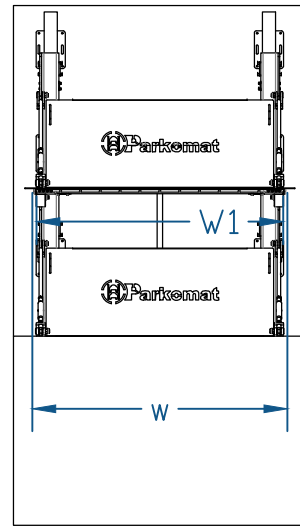


# MaxFree



9	8	7	6	5	4	3	2	1		
220	215	210	205	200	195	190	185	180	D	Pit (depth)
190	185	180	175	170	165	160	155	150	H	maximum lower cell (height)
						270	260	250	W	Pit (width)
						262	252	242	W1	tray (width)
						510	500	495	L	pit (length)
						485	475	470	L1	maximum vehicle (length)